



KEY FEATURES

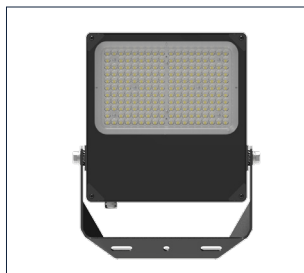
- Professional LED floodlight to use up to 14 meters
- Special asymmetric lens with 0% LOR
- Integrated LED driver
- Uniform light distribution
- Included 3-pole IP68 connector
- Included 1.5 meter cable
- IK08 Vandal-proof / Impact-resistant Aluminum housing and glass cover
- Angle mounting (45°) and tilting up to 180°
- Long service life of 100,000 hour (L80B10) 50,000 (L90B50)
- Suitable for use temperatures: -30 to +50 °C
- Installation on wall and/or pole (accessories needed-not included)
- 5 year Pragmalux Warranty

IP66 IK08 650°GWT 140LM/W 55x125°

5 PRAGMALUX
YEAR
WARRANTY

7 PRAGMALUX
YEAR
WARRANTY
EXTENDED-PRO

DETAILS



OPTIONS



ACCESSORIES



Protection Mesh
100W - 4605470



Protection Mesh
150W - 4605487



Protection Mesh
200W - 4605494



Protection Mesh
300W - 4605500



Pole adaptor Ø42
4605432



Pole adaptor Ø60
4605449



Pole adaptor Ø72
4605456



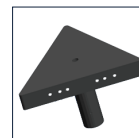
Pole clip Ø40-90
1000800



Pole clip Ø40-150
1000817



2 Flood Base
10000268



3 Flood Base
10000251

SPECIFICATIONS

ITEM CODE	DESCRIPTION	W	LM	LM/W	KELVIN	CRI	INPUT CURRENT	LIFETIME L80B10	EQUIVALENT	BEAM ANGLE
1000664	LED Floodlight Auva G2 IP66 100W 4000K Asymmetrical	100	13500	135	4000	≥80	0.46	100000	150W	55x125°
1000671	LED Floodlight Auva G2 IP66 150W 4000K Asymmetrical	150	20500	136	4000	≥80	0.69	100000	250W	55x125°
1000688	LED Floodlight Auva G2 IP66 200W 4000K Asymmetrical	200	27000	135	4000	≥80	0.91	100000	400W	55x125°
1000695	LED Floodlight Auva G2 IP66 300W 4000K Asymmetrical	300	42000	140	4000	≥80	1.40	100000	800W	55x125°

TECHNICAL DATA

ELECTRICAL DATA	
Voltage (V)	220-240
Frequency (Hz)	50/60
Power factor (λ)	≥0.9
Operating mode	Integrated LED Driver
Electrical connection	Max 3x1.5 mm ² wire
Total harmonic distortion	≤ 20 %

TEMPERATURES & OPERATING CONDITIONS	
Ambient temperature	25°C
Operating temperature	-30 ~ +50°C
Storage temperature	-30 ~ +80°C

COLORS & MATERIALS	
Color (Housing)	Black RAL9017
Material (Housing)	Aluminum
Material (Reflector)	Tempered glass

PRAGMALUX

All rights reserved. Pragmalux - PDL Lighting Group B.V. retains the right to modify product specifications without any prior notice or obligation and does not assume any liability for any consequences of using this document. Subject to errors and printing errors. Luminous flux tolerance: +/- 10%. Power consumption tolerance: +/- 10%.

Version: July 2021

CERTIFICATES & STANDARDS

Driver certificates	CE
Fixture certificates	CE
Ingress protection	IP66
Protection class	I
Protection class IK	08
Glow Wire Test (IEC 695-2-1)	650°C
Photobiological safety group EN62778	RG1
IEC	EN IEC 62722-2-1
LM80 (TM21) L90B50 (hours)	>50,000

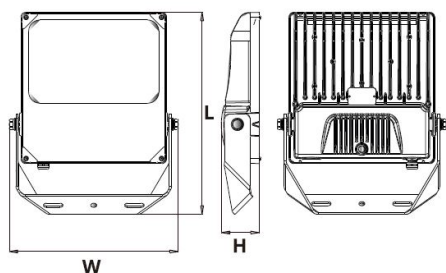
CAPABILITIES

UGR	≤25-30
Dimmable	No
Type of connection	Push Terminal, 3-pole
LED Module replacable	No
Installation	Wall-Surface mounted / Pole mounted

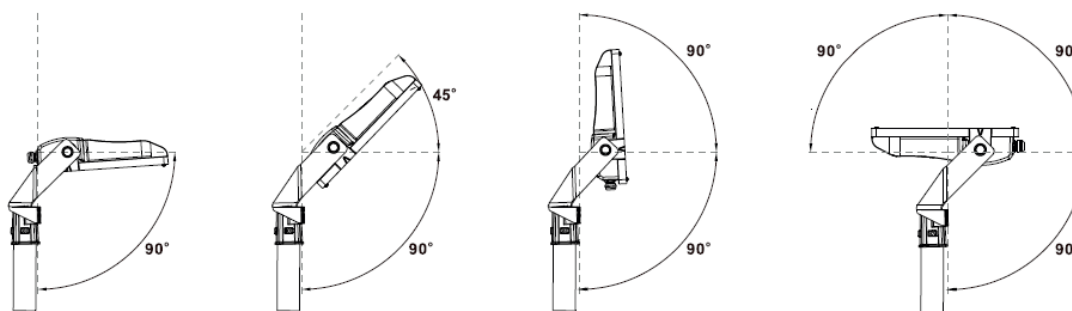
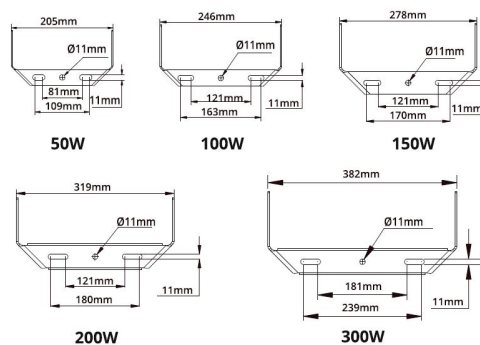
AUVA G2 LED FLOODLIGHT

ITEM CODE	DESCRIPTION	DRIVER FAILURE RATE AT 5,000H	INRUSH CURRENT IPEAK (A)	INRUSH CURRENT T2WIDTH (µs)	MAX. NO. OF DRIVERS ON MCB TYPE B 10A	MAX. NO. OF DRIVERS ON MCB TYPE B 16A	MAX. NO. OF DRIVERS ON MCB TYPE C 10A	MAX. NO. OF DRIVERS ON MCB TYPE C 16A
1000664	LED Floodlight Auva G2 IP66 100W 4000K Asymmetrical	≤1%	70	200	6	9	10	16
1000671	LED Floodlight Auva G2 IP66 150W 4000K Asymmetrical	≤1%	110	200	3	6	6	10
1000688	LED Floodlight Auva G2 IP66 200W 4000K Asymmetrical	≤1%	120	200	3	5	5	9
1000695	LED Floodlight Auva G2 IP66 300W 4000K Asymmetrical	≤1%	80	650	1	2	2	2

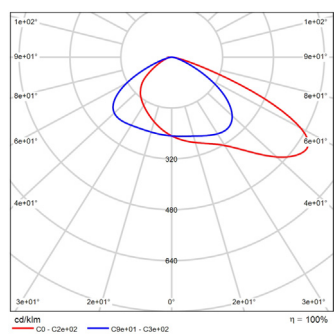
DIMENSIONS



	50W	100W	150W	200W	300W
L	267	314	360	398	470
W	228	269	302	343	406
H	55	61	67	70	80



PHOTOMETRIC SPECIFICATIONS LED FLOODLIGHT AUVA G2 4000K



EXTRA

